

## ENKELROOF 220 EEC (ENKREC220)

### GENERAL DATA

#### ROOF FAN WITH ABS COWL AND ELECTRONIC MOTOR



#### MANUFACTURING FEATURES:

- ABS protection cowl easily removable for access to motor and impeller (integrated folding system in models 500, 560 and 630). The ABS cowl is characterized by its toughness, resistance to impacts and is able to withstand extreme ambient temperatures. 100% of the ABS used in the this cowl is recycled.
- The design of the cowl with a rounded shape is specific to minimize the risk of water ingress due to rain.
- Structure in anticorrosive galvanized steel and support frame for adaptation to the roof with anti-bird protection grid.
- High-efficiency backward-curved blade impeller with self-cleaning system. Self-cleaning system. Reinforced polyamide impeller for models 155, 190 and 220. The rest of the models in aluminum.
- EC technology uses integral electronic control to ensure that the motor always runs at optimal load and ensures efficient energy utilization. It incorporates an external rotor EC motor with high efficiency (IE4 for three phase motors and IE5 for single motors) and low noise level. Speed control through a 0-10V or PWM signal. 230V 50/60Hz single-phase power supply for models 155 to 310 and 400V 50/60Hz three-phase power supply for sizes from 355 to 630. IP54 and motor class B insulation.

#### APPLICATIONS

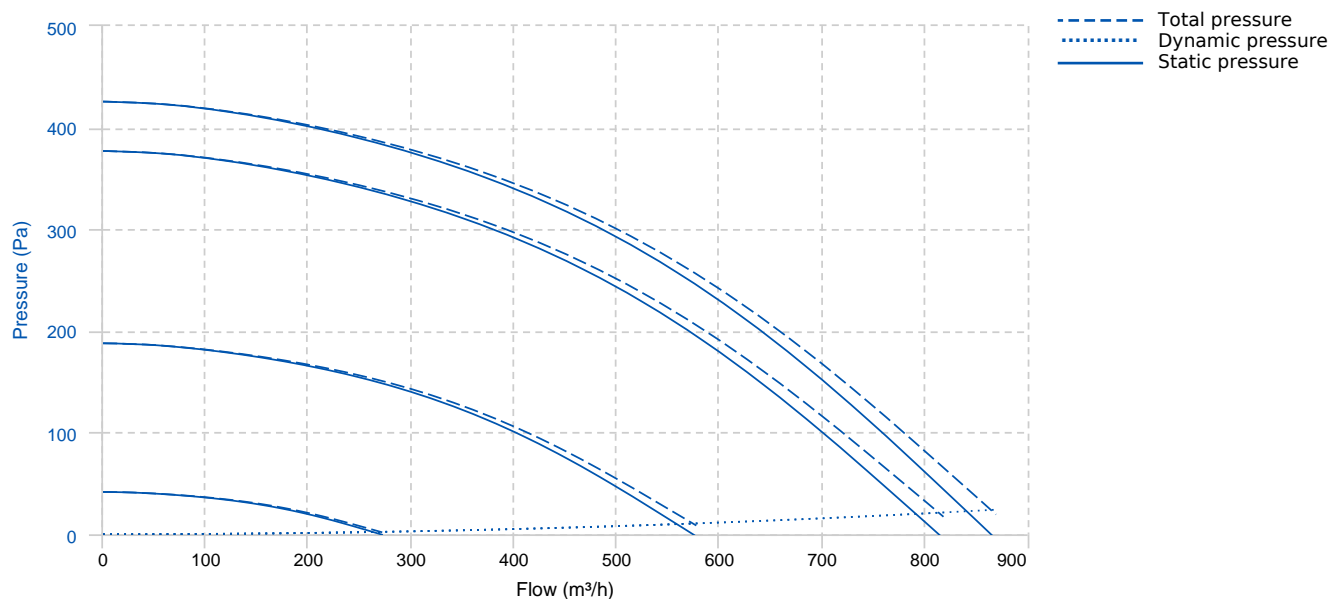
Designed for deck or roof mounting, they are indicated for:

- Smoke extraction.
- Air renewal in all types of buildings and industries.
- Working temperature range from -20°C to 60°C for models size 155-310, -25°C to 60°C for 355-450 sizes, -30°C to 50°C for size 500 and -30°C to 40°C for 560 and 630 models.

#### UNDER REQUEST

- Fan (size between 250 and 450) with k-factor reading.

## PERFORMANCE CURVE



## TECHNICAL DATA

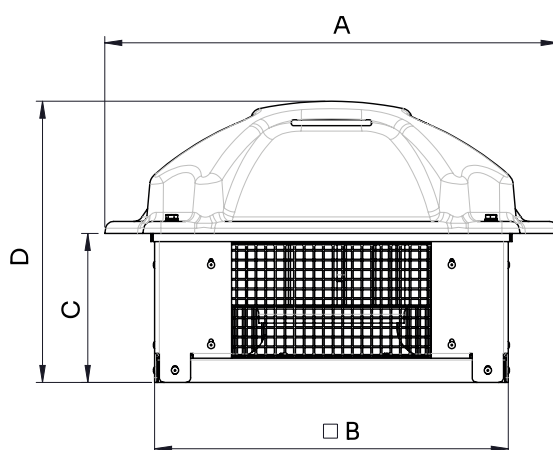
### Fan

RPM	2600	Approx. weight	7 kg	Max. Flow	870 m³/h
-----	------	----------------	------	-----------	----------

### Motor

Power	0,075 kW	RPM	2600	I max. (230V)	0,6 A	Approx. weight	1.4 kg
-------	----------	-----	------	---------------	-------	----------------	--------


## DIMENSIONS



### Dimensions (mm)

A	565	B (int)	433	C	113.5	D	273,5
---	-----	---------	-----	---	-------	---	-------

## WIRING DIAGRAM

Nº	Signal Señal	Colour Color	Specification Especificación
1	L	Brown Marrón	AC 220V/50Hz
2	N	Blue Azul	AC 220V/50Hz
3	Pe	Yellow-Green Amarillo-Verde	

Nº	Signal Señal	Colour Color	Specification Especificación
1	GND	Blue Azul	
2	Vsp	Yellow Amarillo	0-10 V/PWM
3	Vcc	Red Rojo	DC 10V
4	FG	White Blanco	1 Pulse/R

## ACCESSORIES



**SAFETY SWITCH**  
**INT 25 3P A**  
REF: INT253PA



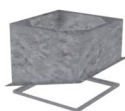
**SPEED CONTROLLER FOR EEC MOTOR**  
**REGC**  
REF: FX263300



**SPEED CONTROLLER WITH SAFETY SWITCH FOR EEC MOTOR**  
**PMR 25A**  
REF: PMREEC



**ENKELROOF VERTICAL DISCHARGE**  
**KV ENKELROOF 220**  
REF: KVENKR220



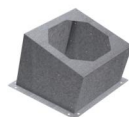
**BTI + AMC MOUNTED**  
**BTI+AMC 410**  
REF: BTIAMC410XX



**CONNECTION FLANGE**  
**AC 200**  
REF: 960003206



**CIRCULAR-CIRCULAR ANTI-VIBRATION FLANGE**  
**BAD 6 (Ø200)**  
REF: 960003456

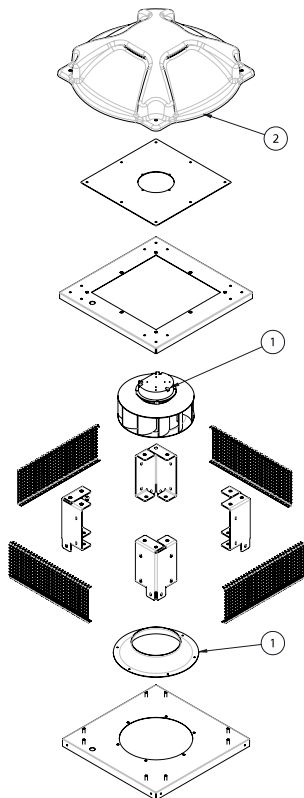


**INCLINED ROOF FAN SUPPORT**  
**BTI 410**  
REF: A-50870410XX



**CIRCULAR SOUND ATTENUATOR IN GALVANISED STEEL**  
**SILC-MINI 200 C**  
REF: SILCM200C

**SPARE PARTS**



	Code	Model	Qty
1	R-241253017	MOTOR-FAN+INLET CONE 220 220V 50-60Hz	x1
2	R-279254478	ROOF COWL ENKELROOF 220-250	x1